

Different contexts, different value chains

Marjoke de Boer



eBussed

Thematic working group
Procurement &
Tendering

6 regions:

- Turku
- Hamburg
- Utrecht
- Peks/ Páks
- Livorno
- Malta



Different contexts

- In each region, public transport has a different form of organization:
 - Public operators versus private operators
 - Direct award versus public tendering
- Different roles for the public transport authorities and operators
- Historically grown, different legislation in each country, etcetera
- Also in de procurement and operaton of ebusses
- Therefore: 'good practices' in tendering en procurement cannot always 100% be transferred to other regions

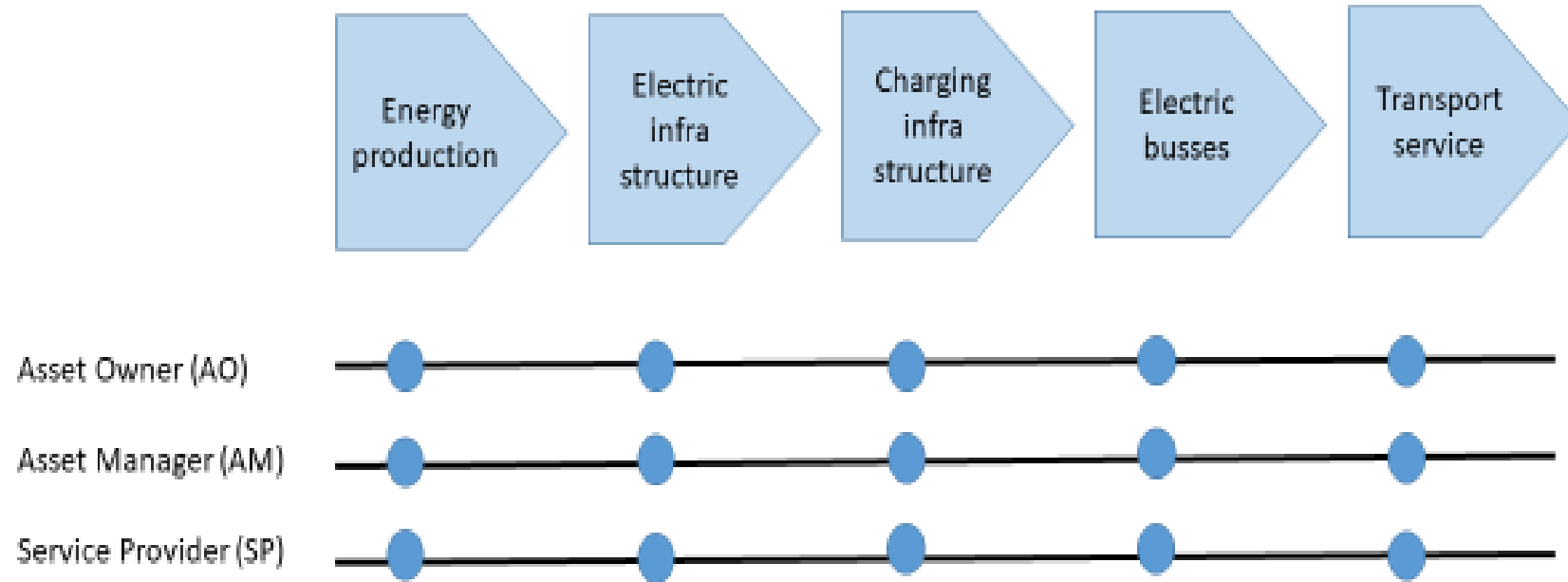


Tendering the buses or the operation?

- In some regions (e.g. Hamburg), the buses are procured through public European tendering (by authority or operator)
- In some other regions (e.g. Utrecht), the authority does a public European tendering of the operating contract ('concession'). Part of the contract is that the operator is responsible for procuring the buses (no tendering needed).

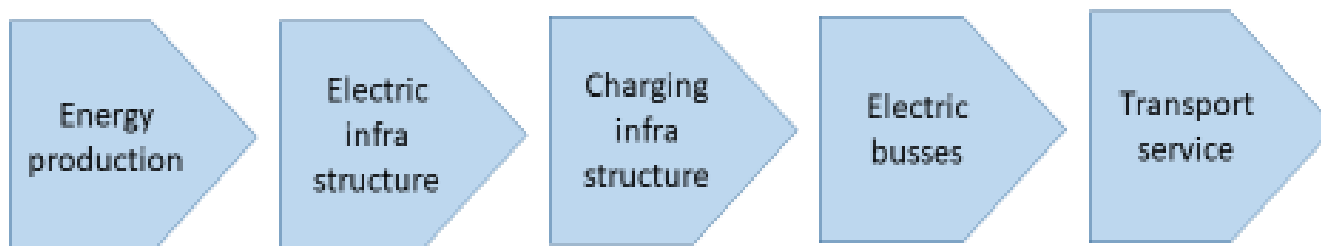


Mapping the value chain



Map the (combined) roles in value chain in Utrecht

Concession provider



Asset Owner (AO)



Asset Manager (AM)

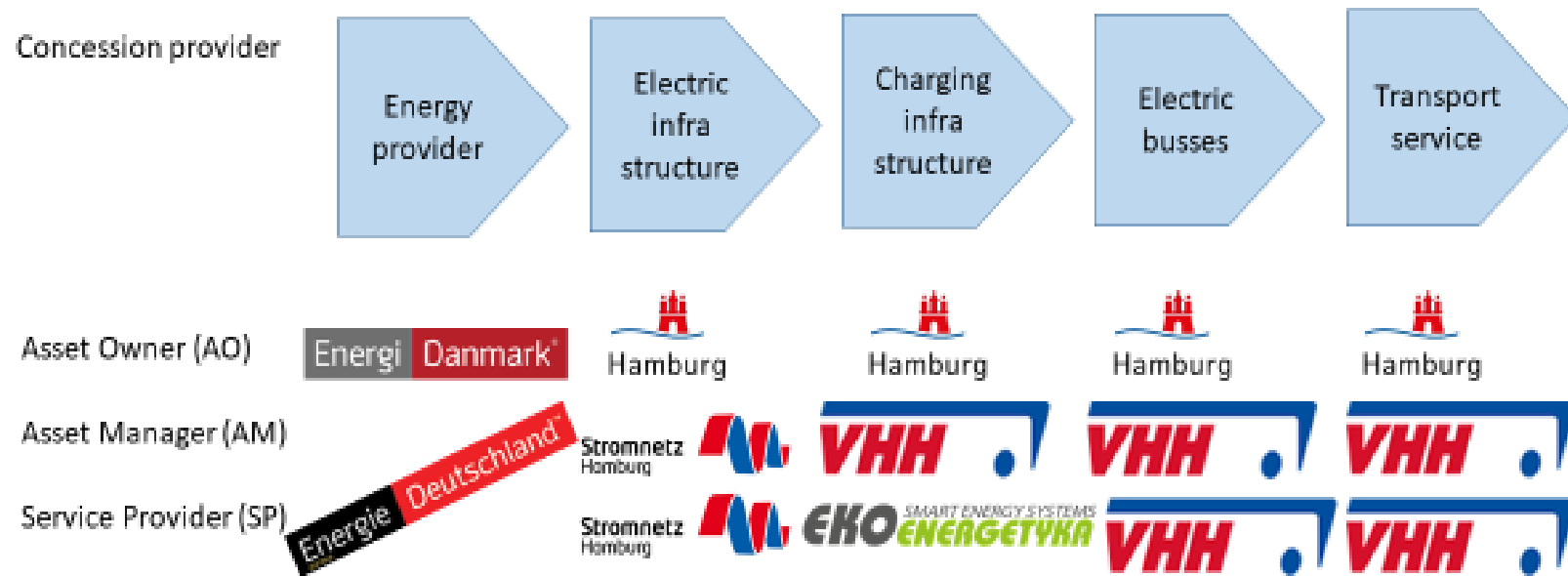


Service Provider (SP)

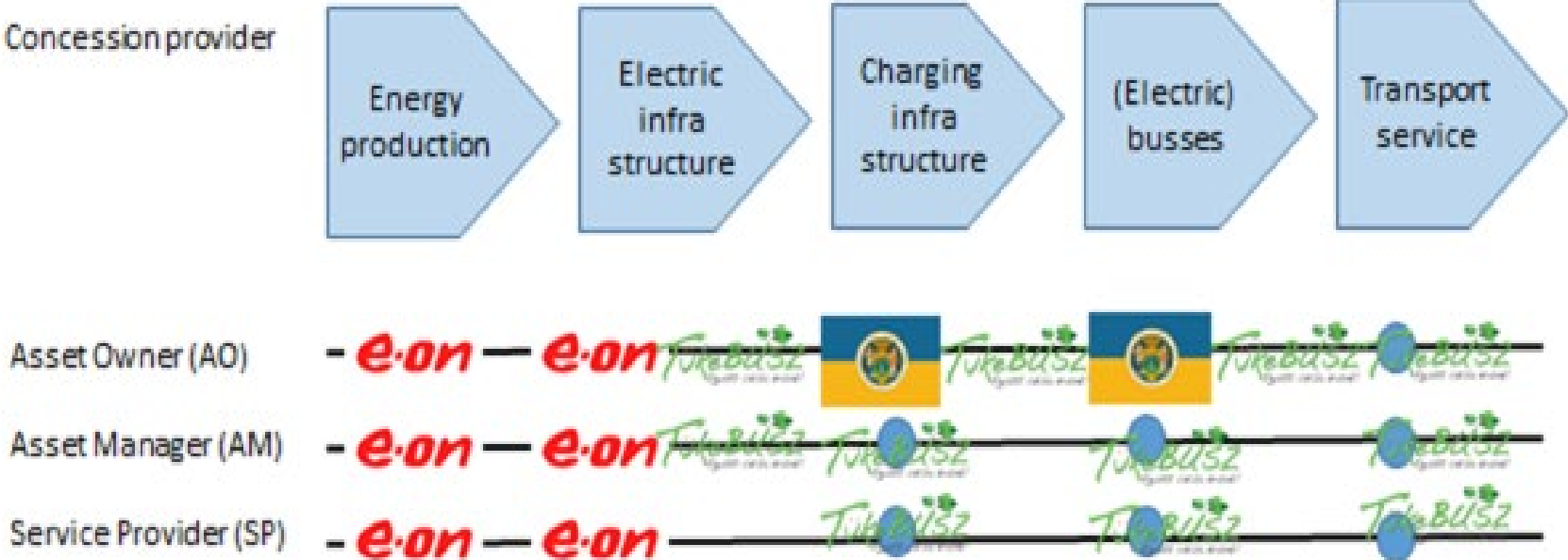


European Union
European Regional
Development Fund

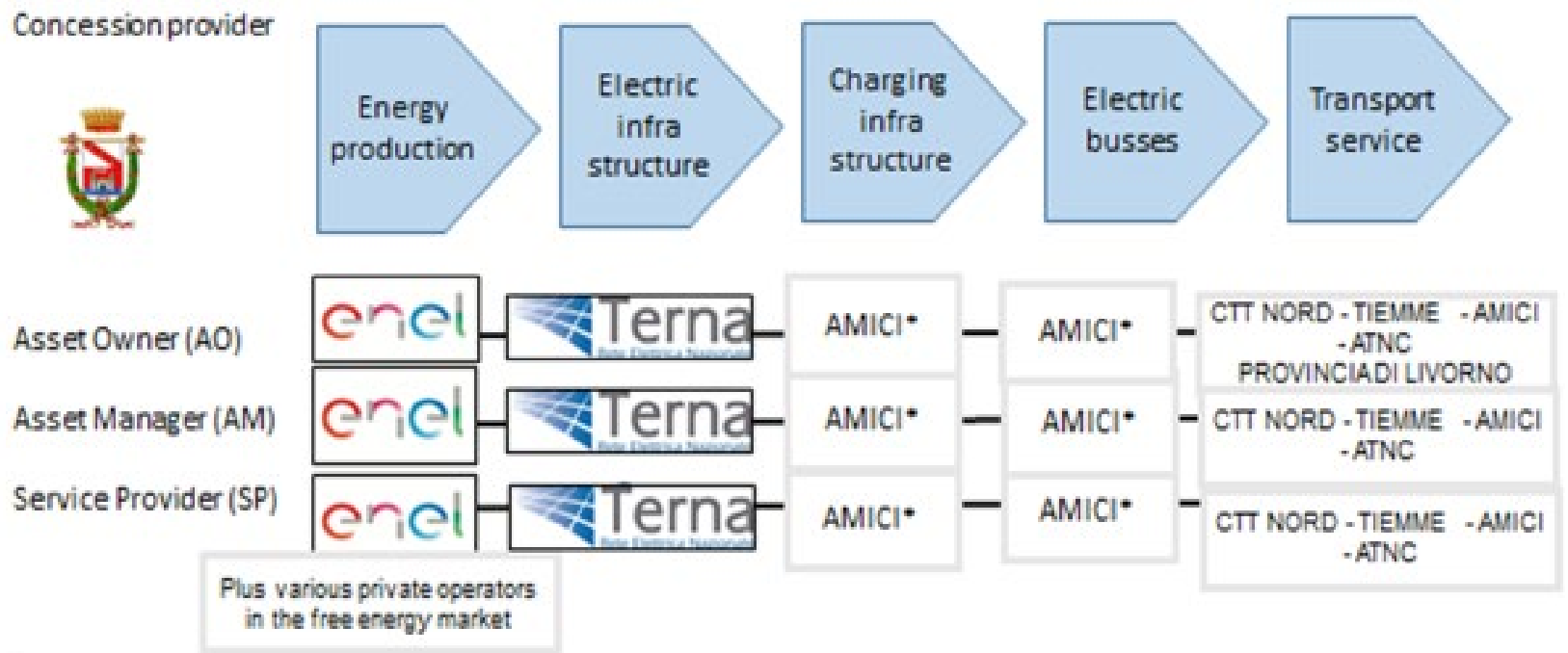
Map the (combined) roles in value chain in Hamburg (VHH)



Map the (combined) roles in value chain in South Transdanubia – Pécs, Tükebusz Zrt.



Map the (combined) roles in value chain in Livorno



*Amici is a small private company that manages the only operating electric train in the Province of Livorno that integrates the public transport of San Vincenzo in the restricted traffic areas



Different context, same ambitions



- We come from different regions and contexts, but share an ambition in more sustainable public transport
- We invite you to learn from each other in this meeting – but keep in mind that practices are not always 100% transferrable due to these different contexts